

INDUSTRY LABELS



LabelMax
XS

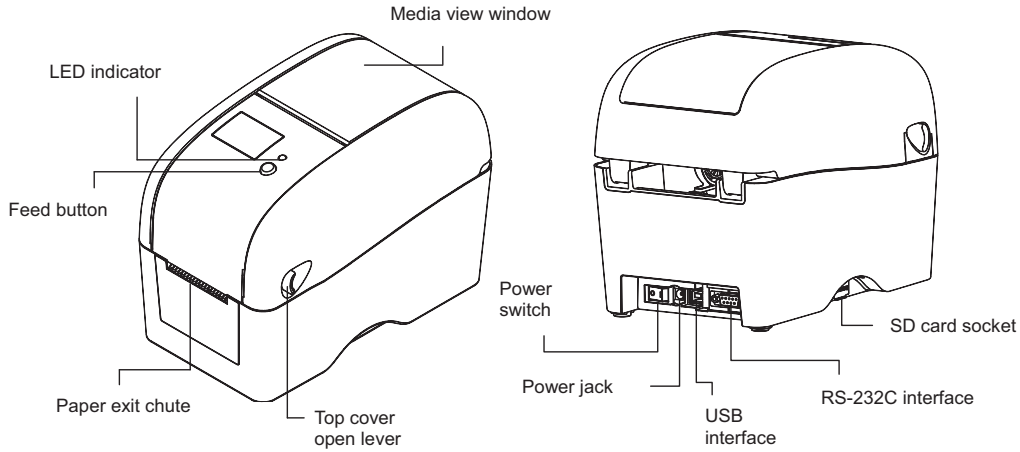


Quick Installation Guide

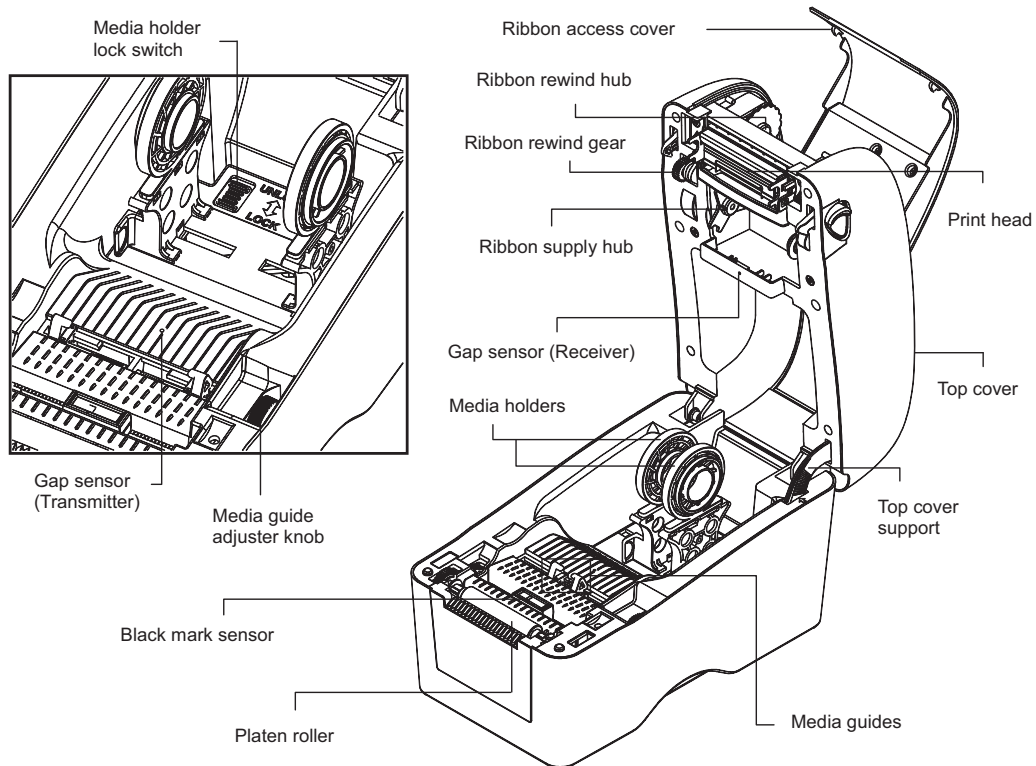
MAX Systems GmbH • Am Bauhof 12 • 27442 Gnarrenburg
Tel.: +49 (0) 47 63/94595-10 • Fax: +49 (0) 47 63/94595-11
E-Mail: info@maxsystems.eu • www.maxsystems.eu

Quick Installation Guide

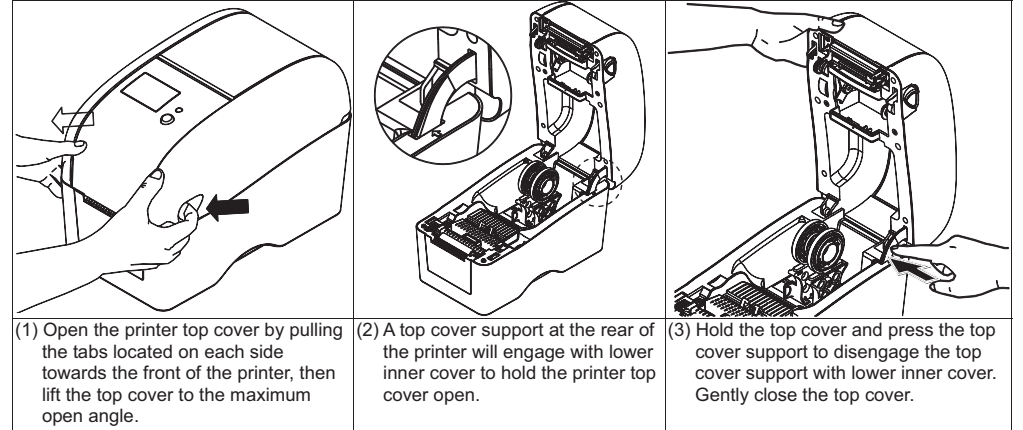
Printer Overview



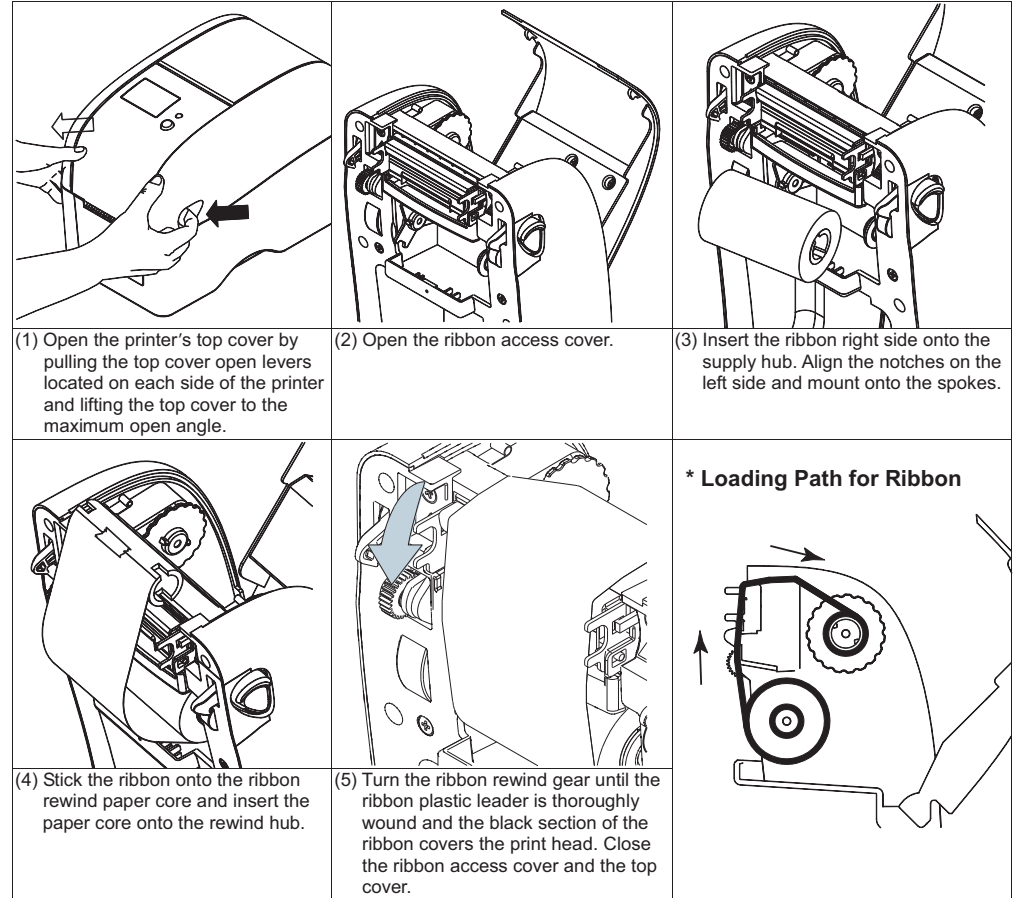
Note:
The interface picture in the quick start guide is for reference only. Please refer to the product specification for the interfaces availability.



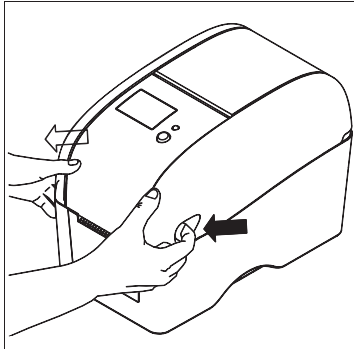
Open / Close the Top Cover



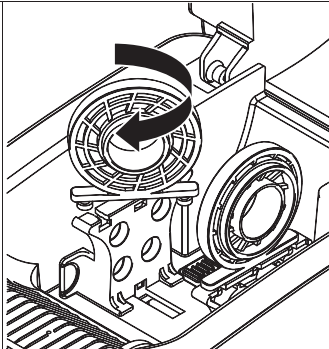
Loading the Ribbon



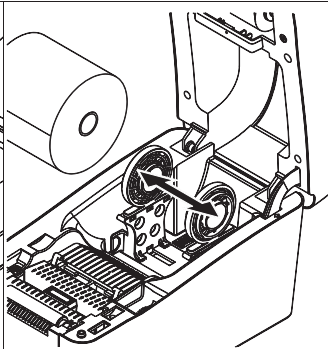
Loading the Media



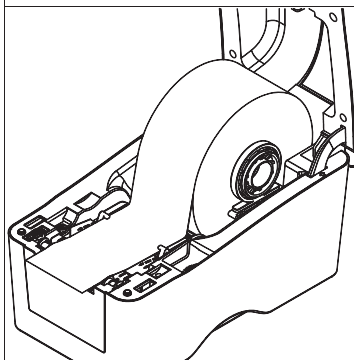
(1) Open the printer top cover by pulling the tabs located on each side towards the front of the printer, and then lift the top cover to the maximum open angle.



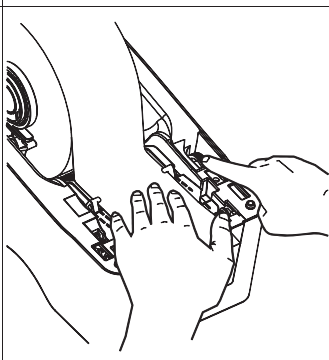
(2) The media holder can be used for 1" and 1.5" media core by rotating the upper part of label holder 180 degrees clockwise.



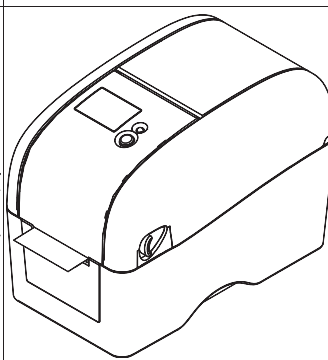
(3) Separate the media holders to the label roll width. Place the roll between the holders and close them onto the core.



(4) Place the paper, printing side face up, through the media guides, media sensor and place the label leading edge onto the platen roller.

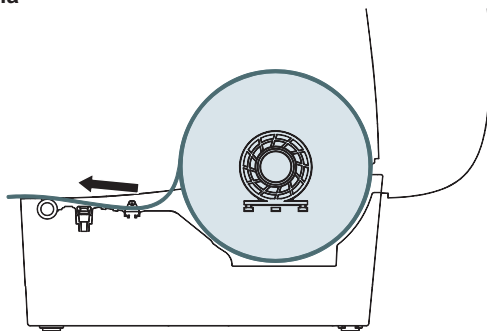


(5) Move the media guides to fit the label width by turning the guide adjuster knob.



(6) Gently close the top cover. Make sure the cover latches securely.

* Loading Path for Media



(7) Use "Diagnostic Tool" to set the media sensor type and calibrate the selected sensor. (Start the "Diagnostic tool" Select the "Printer Configuration" tab Click the " Calibrate Sensor" button)

Note:

Please calibrate the gap/black mark sensor when changing the media.

Button Functions

(1) Feed labels

When the printer is ready, press the button to feed one label to the beginning of next label.

(2) Pause the printing job

When the printer is printing, press the button to pause a print job. When the printer is paused the LED will blink green. Press the button again to continue the printing job.